

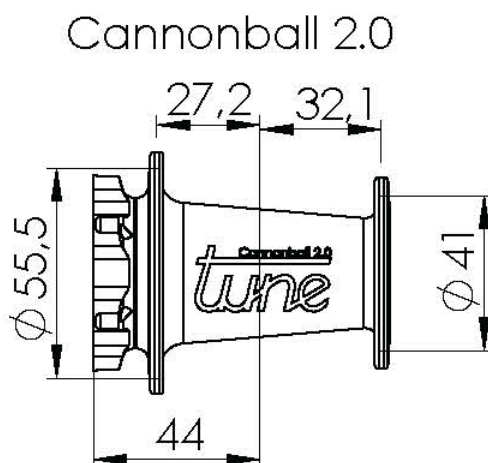
BRIEF INSTRUCTION CANNONBALL 2.0 FRONT HUB

tune

BORN IN THE BLACK FOREST BUILT TO ENJOY NATURE
As of Januar 2016

This brief instruction includes the most important informations about your Tune hub. A more detailed manual, including a graphic maintenance instruction can be found under www.tune.de/en/manual.

Number of holes	24 / 28 / 32
Disc mount	6-hole (IS2000)
Colours	black, silver, red, gold, blue, green, orange, froggy-green and white (powder-coated)
Bearings	2 specific Tune grooved ball bearings (61805 & 61802)
Weight limit	none



Instructions

General:

- Only use the Cannonball hub with original Cannondale-Lefty-forks. It is possible to adapt the hub to the new axle standard (Lefty 2.0 and Lefty Supermax) by using the extra Adapter (NZ1900). Modifying the hub for other clamping methods is not possible.
- Mount the hub with the included fixing bolt (right-hand thread) on the fork. The fixing bolt should be mounted with bolt lock (e.g. 3M Scotch-Weld TL43).
- The cover cap should be screwed in hand-tight (left-hand thread). With the cover cap and the clamping bolt the wheel can be removed from the fork.
- Before every ride, make sure that your tune product is in a good condition and functioning properly. If there seems to be any irregularities the product should not be used. Contact your retailer for help.
- Never clean your Tune products directly with high water pressure (pressure cleaner) and do not use aggressive detergents.
- Only use tires that suit the rim, pay attention not to exceed the maximum tire pressure of the rim and tire.

Maintenance:

The hub should be maintained at least once a year. If used in extreme conditions (rain, mud, salted streets, transport in the rain) regularly the hub must be maintained more often. A regular service supports the technical condition, as well as the durability of the hub. You can maintain your Tune hub yourself, a detailed manual, including graphic instructions can be found online under <http://www.tune.de/en/manual>.

Installation of the brake disc:

- The disc brake must be mounted with a tension of 4-5 Nm.
- Possible old thread-locking remains must be removed before mounting the brake disc.

Lacing:

The Tune hub must not be laced radially. Triple crossed spokes are optimal, however they must be crossed at least twice. It's allowed to tie the spoke crossings with carbon. The construction of twisted laced or tied and soldered spoked wheels is forbidden.

You need a truing adapter for lacing and centring. The adapter can be ordered separately. You can also use the original Cannondale truing adapter. Thereto you have to shim the opposite side of the disc-side with a 2mm distance (inside \varnothing 15-16 mm; outside \varnothing < 24 mm) before putting the original distance onto the truing adapter.



Cannonball 2.0:

The highest permitted spoke tension is **1100 N**.

Pitch circle diameter (l/r) \varnothing	55,5 / 41,0 mm
Distance hub flange to wheel center line (l / r)	27,2 / 32,1 mm
Spoke hole diameter \varnothing	2,4 mm

Service

Warranty:

Tune grants a two year warranty from the date of purchase on material defects and production errors. On bearings, rims and spokes we grant a one year Warranty, as these are wear parts. Claims can only be made if a copy of an original dealer invoice is presented.

There is no claim for warranty services in case of:

- normal wear
- improper use or careless treatment
- disregard of service instructions
- inappropriate repair, assembly, or maintenance works or negligence
- defects caused by wrong wheel building (spoke patterns, spoke crossings, spoke tension, etc.)

Warranty claims have to be sent to the local Tune distributor and are subject to the assessment of Tune. Based on this warranty, the company Tune is not liable for compensation, especially not for indirect damage caused by accidents, collateral damage and consequential damage. All anodized parts can bleach in sunlight.

Crash Replacement:

Tune offers a Crash Replacement in addition to the legal warranty. The service can be engaged if your Tune product is damaged and not be rideable any more, due to a crash, accident or overload .

Conditions:

- Due to our huge products variety, the discount we can give, is assessed individually for every case.
- The damaged part is replaced by the same model. Tune reserves the right to replace the damaged part with an equal alternative.
- The damage has to affect the functionality of the component (optical damage is excluded).
- Damaged parts pass into the ownership of Tune.
- The Crash Replacement offer does not cover the costs of transport and labour.

Tune GmbH
Im Mittelfeld 18 | 79426 Buggingen

service@tune.de
www.tune.de

Outside of Germany please contact your local distributor.



BORN IN THE BLACK FOREST BUILT TO ENJOY NATURE