

We congratulate you on purchasing your TUNE product. You made a good choice. TUNE products are manufactured under highest quality standards in Germany. Nonetheless it is necessary to follow these instructions and maintain your product as told in this manual. Familiarize possible other users with this manual.

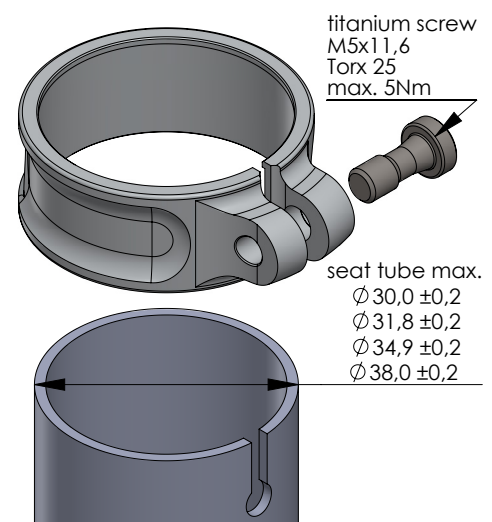
Before every ride, ensure that the Schraubwürger is assembled as outlined in this manual. An incorrect installation or adjustment can lead to serious or fatal injuries. Please read the owners manual carefully for your respective frame and seatpost.

## Specifications:

Material	clamp bolt	aluminium titanium
Dimensions	available bore diameters (equal to seat tube diameter)	30,0 mm 31,8 mm 34,9 mm 38,0 mm
Weight		from 10 g

## Instructions

- Use a **vernier caliper** to measure the **outside diameter** of your **seat tube** at several locations. The measured diameter should be within the relevant **tolerance** provided, (see **figure**). If this is not the case, the Schraubwürger can **not** be used!
- The Schraubwürger could be damaged if too much force is applied to „bend open“ or close. In this case, you should consult your bicycle retailer.
- If the seat tube is within the respective tolerance, then position the Schraubwürger such that the clamping slit coincides with the clamping slit of the frame and push the Schraubwürger onto the seat tube until the dead stop is reached (**flange on inside**).
- **Important:** The assembly must be performed correctly otherwise there could be insufficient clamping force or the Schraubwürger could be damaged. The Schraubwürger should be assembled without grease or assembly paste. When assembling with a carbon frame, we recommend using carbon assembly paste between frame and seatpost. Carbon assembly paste increases friction and hence reduces the required torque.
- In order to ease the assembly, you can unwind the clamping screw 2-3 turns.
- Now insert the seatpost to the required height. Use a **torque wrench** and a **TX25** bit to tighten the clamping bolt to a **max. of 5 Nm**.
- No alterations are to be made to the Schraubwürger. Any alterations will void warranty.



### **Warranty:**

Tune grants a two year warranty from the date of purchase on material defects and production errors. On bearings, rims and spokes we grant a one year Warranty, as these are wear parts. Claims can only be made if a copy of an original dealer invoice is presented.

There is no claim for warranty services in case of:

- normal wear
- improper use or careless treatment
- disregard of service instructions
- inappropriate repair, assembly, or maintenance works or negligence

Warranty claims have to be sent to the local Tune distributor and are subject to the assessment of Tune. Based on this warranty, Tune is not liable for compensation, especially not for indirect damage caused by accidents, collateral damage and consequential damage. All anodized parts can bleach in sunlight.

### **Crash Replacement:**

Tune offers a Crash Replacement in addition to the legal warranty. The service can be engaged if your Tune product is damaged and not be rideable any more, due to a crash, accident or overload .

### **Conditions:**

- Due to our huge products variety, the discount we can give, is assessed individually on a case by case basis.
- The damaged part is replaced by the same model. Tune reserves the right to replace the damaged part with an equal alternative.
- The damage has to affect the functionality of the component (cosmetic damage is excluded).
- Damaged parts become the property of Tune.
- The Crash Replacement offer does not cover the costs of transport and labour.

Tune GmbH  
Im Mittelfeld 18 | 79426 Buggingen

service@tune.de  
www.tune.de



Outside of Germany please contact your local distributor.



**BORN IN THE BLACK FOREST BUILT TO ENJOY NATURE**